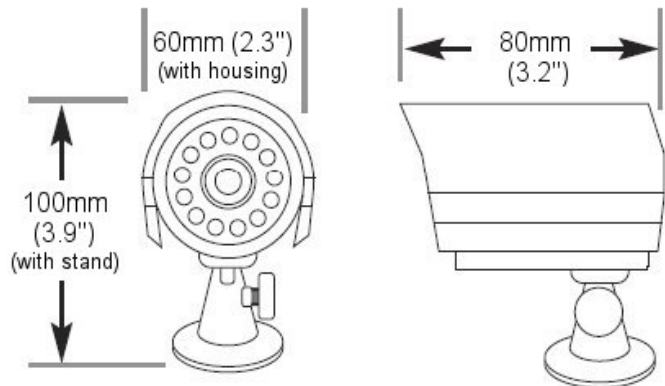


4. Camera Specifications

Specifications:

Image Sensor	1/3" Color CCD
Horizontal Res.	480 TV lines
# Effective Pixels	752 (H) x 582 (V) (440K)
Sync. System	Internal Sync.
S/N Ratio	45dB (AGC Off)
Electronic Shutter	1/50 ~ 10,000 Sec.
Illumination	0 Lux (LED on)
IR Distance	35 ft. / 10 m.
Lens	6 mm / F2.0
Video Output	1.0Vp-p @ 75 ohms
LED	12 LED
Power Supply	DC 12V ± 10% 300mA with 230V input
Operating Temp	14°F ~ 122°F (-10° ~ 50°C)
Storage Temp	-4°F ~ 140°F (-20° ~ 60°C)
Dimension	3.9" (H) x 3.2" (D) 100mm (H) x 80mm (D)

Dimensions:



It's all on the web

- Product Information
- User Manuals
- Quick Start Guides
- Specification Sheets
- Software Upgrades
- Firmware Upgrades



VISIT
www.lorexcctv.com

LOREX Technology Inc.
Copyright © 2007 LOREX Technology Inc. As our products are subject to continuous improvement, LOREX and its subsidiaries reserve the right to modify product design, specifications and prices, without notice and without incurring any obligation. E&OE

HOME & BUSINESS SECURITY

**HI-RES COLOR DAY/NIGHT
IR CAMERA**

Model: CVC6973HRP



Quick Set-up Guide

LOREX

1. Package Contents



1 x CVG6973HR Hi- Res
Color Day/Night IR
Camera



1 x Mounting Bracket /
Stand



1 x 60 ft. extension cable
1 x BNC to RCA Adaptors



1 x AC Power Adaptor

* Power Adaptor may not be exactly as shown.

Features:

- Advanced 1/3" Color CCD Image Sensor with 380,000 effective pixels
- 12 IR LEDs provide illumination up to 35ft**
- Weatherproof*** Design (IP67) with Removable sunshade ideal for outdoor installations
- Color in the day, automatically switches to B/W at night

** IR Illumination range of 35 ft. under ideal conditions. Objects at or beyond this range may be partially or completely obscured, depending on the camera application.

*** Not recommended for submersion in water

2. Installing the Video Camera

1. Attach the camera to the supplied stand.

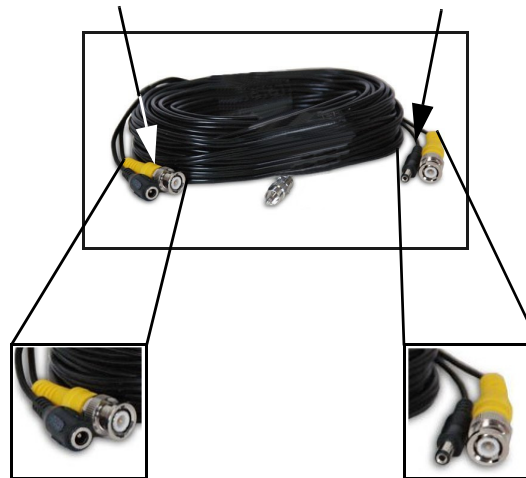


2. Mount the camera stand to the desired mounting surface

The mounting stand is designed to permanently mount the camera to a surface.

3. Connect the 60ft Extension cable to the camera:

BNC (VIDEO)
(Yellow Connector) **POWER**
(Black Connector)



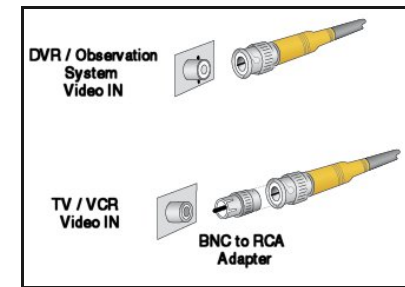
VIDEO INPUT CONNECTIONS:

Connect the BNC cable to the video input of the monitor, and connect the power adaptor to an outlet.

CAMERA CONNECTIONS:
Connect the BNC and Power cables to the Camera

3. Connecting the Camera

4. Connect the BNC end of the 60ft Extension Cable to the DVR / Observation System or to a TV/VCR.



Connect the BNC to RCA Adaptor as needed to allow for proper connectivity.

5. Connect the A/C Power Adaptor to the 60ft Extension cable (Black connector). Plug the Power adaptor to a wall outlet



* Power Adaptor may not be exactly as shown.

Setup Diagram:

